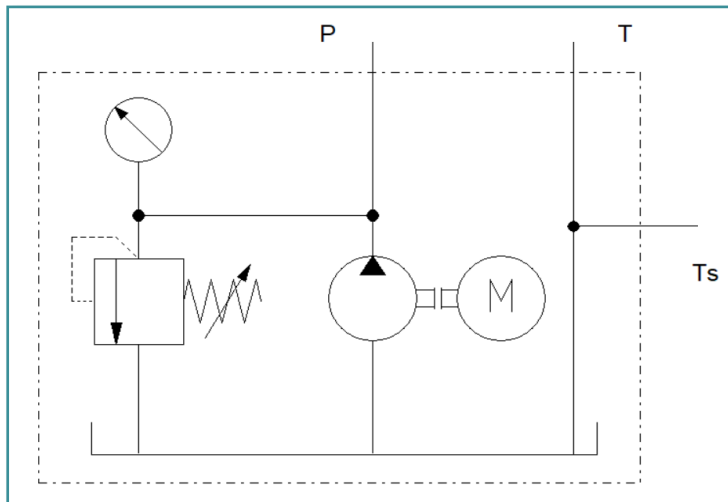


I. Choose the correct name of the element depicted with this symbol:



- hydraulic pump unit
- hydraulic motor
- hydraulic rotor
- hydraulic supply

II. Choose the name of the element, that serves as a supply of hydraulic oil:

- tank
- hydrogenerator
- manometer

III. What do you think the function of the hydrogenerator is?

- It generates the flow of hydraulic oil.
- It measures the system pressure.
- It regulates the revolutions of the electric motor.

IV. Complete the statement: „ *The idle position of pressure relief valve (PreIV) is ...* .“

closed / opened

V. Which valve do you think is used to create circuit branches with different pressures?

pressure reducing valve

pressure relief valve

VI. Photo credits: STEP IN partnership

VII. Notes:

STEP IN to the online world/virtual learning, Facilitation of access to Vocational practice through online teaching at secondary technical schools

The project is co-financed by the European Union, ERASMUS+ programme.

Contract number: 2020-1-SK01-KA226-VET-094400

The European Commission's support for the production of this material does not constitute an endorsement of the contents, which reflect the views only of the authors, and the Commission cannot be held responsible for any use which may be made of the information contained therein.

STEP IN project in partnership with:

