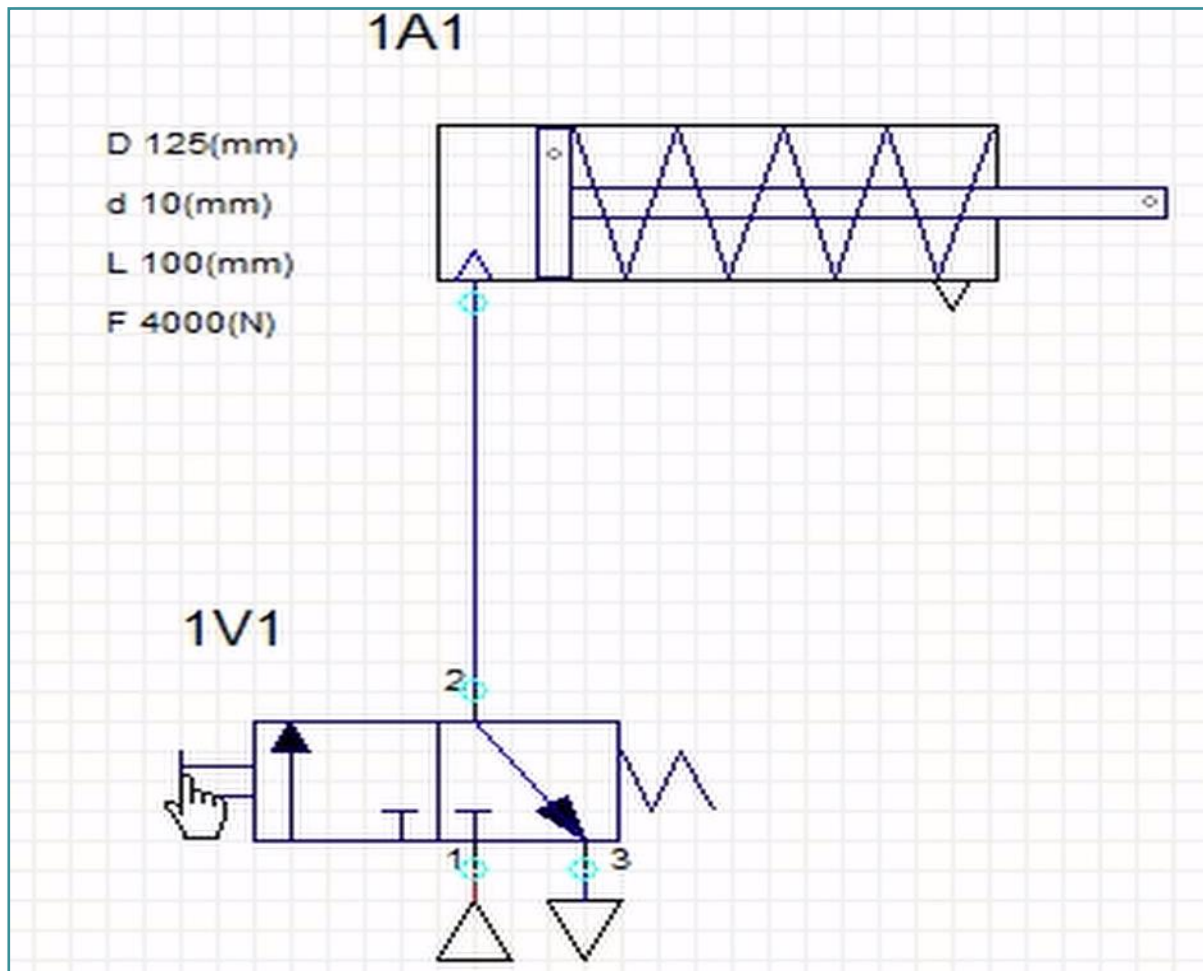
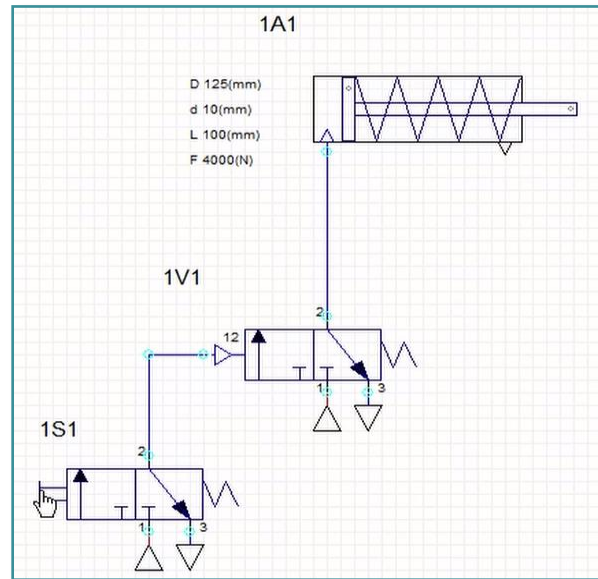
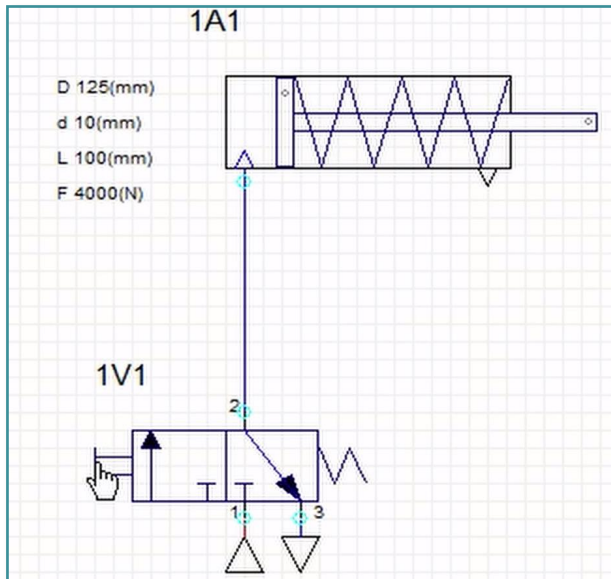


I. What is this scheme like? Choose the correct option.



- hydraulic
- pneumatic

II. Choose the scheme with direct control of a single-acting valve.



III. What is the name of the depicted element? Choose the correct option.



- 3/2 monostable valve pneumatically operated
- 3/2 monostable valve mechanically operated
- 3/2 monostable valve manually operated

IV. Write the name of a type of control when we use the 3/2 monostable valve pneumatically operated.

V. Fill in the name of the depicted element: „Single acting ... .“



VI. Photo credits: STEP IN partnership

VII. Notes:

STEP IN to the online world/virtual learning, Facilitation of access to Vocational practice through online teaching at secondary technical schools

The project is co-financed by the European Union, ERASMUS+ programme.

Contract number: 2020-1-SK01-KA226-VET-094400

The European Commission's support for the production of this material does not constitute an endorsement of the contents, which reflect the views only of the authors, and the Commission cannot be held responsible for any use which may be made of the information contained therein.

STEP IN project in partnership with:

