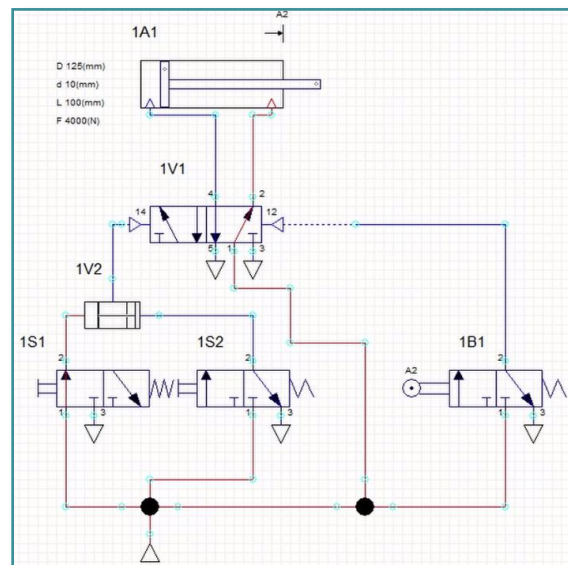
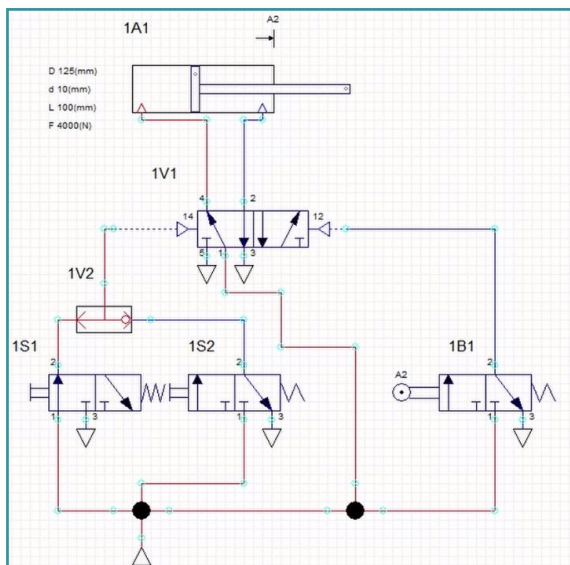


I. Fill in the name of the depicted element: „... acting cylinder.“




II. Choose the scheme for operating the doors from two spots (the OR logic).



III. What is the name of the depicted element? Choose the correct option.

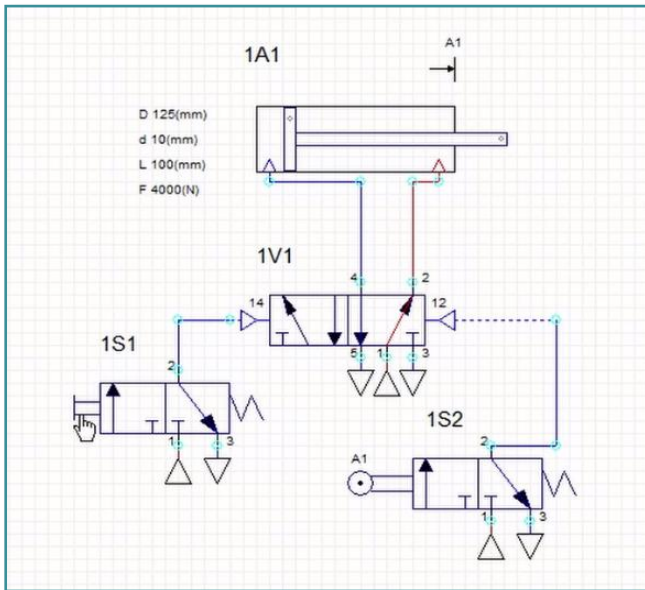


- 5/2 bistable valve manually operated
- 5/2 monostable valve mechanically operated
- 5/2 bistable valve pneumatically operated

IV. Fill in the name of the depicted element: „... lever valve.“



V. Choose one correct application for a scheme below.



- Double-acting cylinder with pushbutton controlled return
- Double-acting cylinder with automatic return
- Single-acting cylinder with automatic return
- Single-acting cylinder with pushbutton controlled return

VI. Photo credits: STEP IN partnership

VII. Notes:

STEP IN to the online world/virtual learning, Facilitation of access to Vocational practice through online teaching at secondary technical schools

The project is co-financed by the European Union, ERASMUS+ programme.

Contract number: 2020-1-SK01-KA226-VET-094400

The European Commission's support for the production of this material does not constitute an endorsement of the contents, which reflect the views only of the authors, and the Commission cannot be held responsible for any use which may be made of the information contained therein.

STEP IN project in partnership with:

