

I. What is the name of the depicted element?



- 3/2 monostable flow control valve
- 5/2 bistable flow control valve
- One-way flow control valve
- Two-way flow control valve

II. What is the one-way flow control valve used for?

- Regulation of the piston rod's speed (slowing down of the cylinder).
- Throttling an airflow flowing through this valve.
- Restriction of an airflow flowing in one direction while not affecting the airflow flowing the other way.
- All the answers are correct.

III. Choose whether the statement is correct:

„We are throttling the air coming into both chambers of a cylinder, therefore input regulation.“

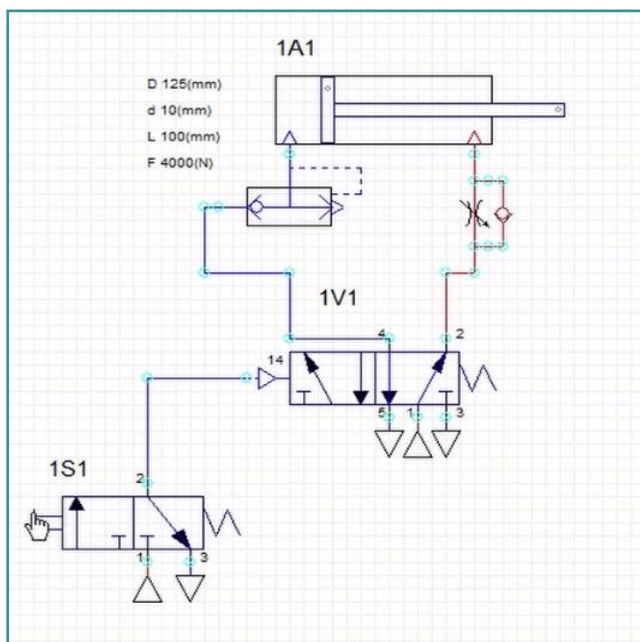
CORRECT / INCORRECT

IV. What is the name of the depicted element?



- Shuttle valve OR
- Two pressure valve AND
- Quickexhaust valve
- Slowexhaust valve

V. Choose the option, that correctly describes the work of the pneumatic system depicted in the scheme.



- The extension stroke is slowed down, the return stroke is very fast.
- The extension stroke is very fast, the return stroke is slowed down.
- After the complete extension, the piston rod automatically returns.
- At the beginning, the piston rod is in its full extension and returns after pushing the button.

VI. Photo credits: STEP IN partnership

VII. Notes:

STEP IN to the online world/virtual learning, Facilitation of access to Vocational practice through online teaching at secondary technical schools

The project is co-financed by the European Union, ERASMUS+ programme.

Contract number: 2020-1-SK01-KA226-VET-094400

The European Commission's support for the production of this material does not constitute an endorsement of the contents, which reflect the views only of the authors, and the Commission cannot be held responsible for any use which may be made of the information contained therein.

STEP IN project in partnership with:

