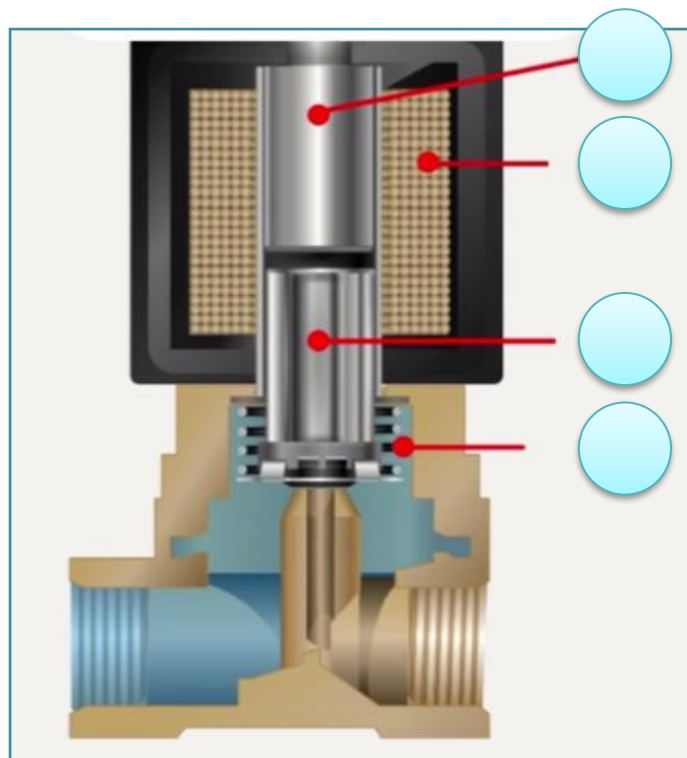


I. Match the letters with the names of solenoid parts in the picture.

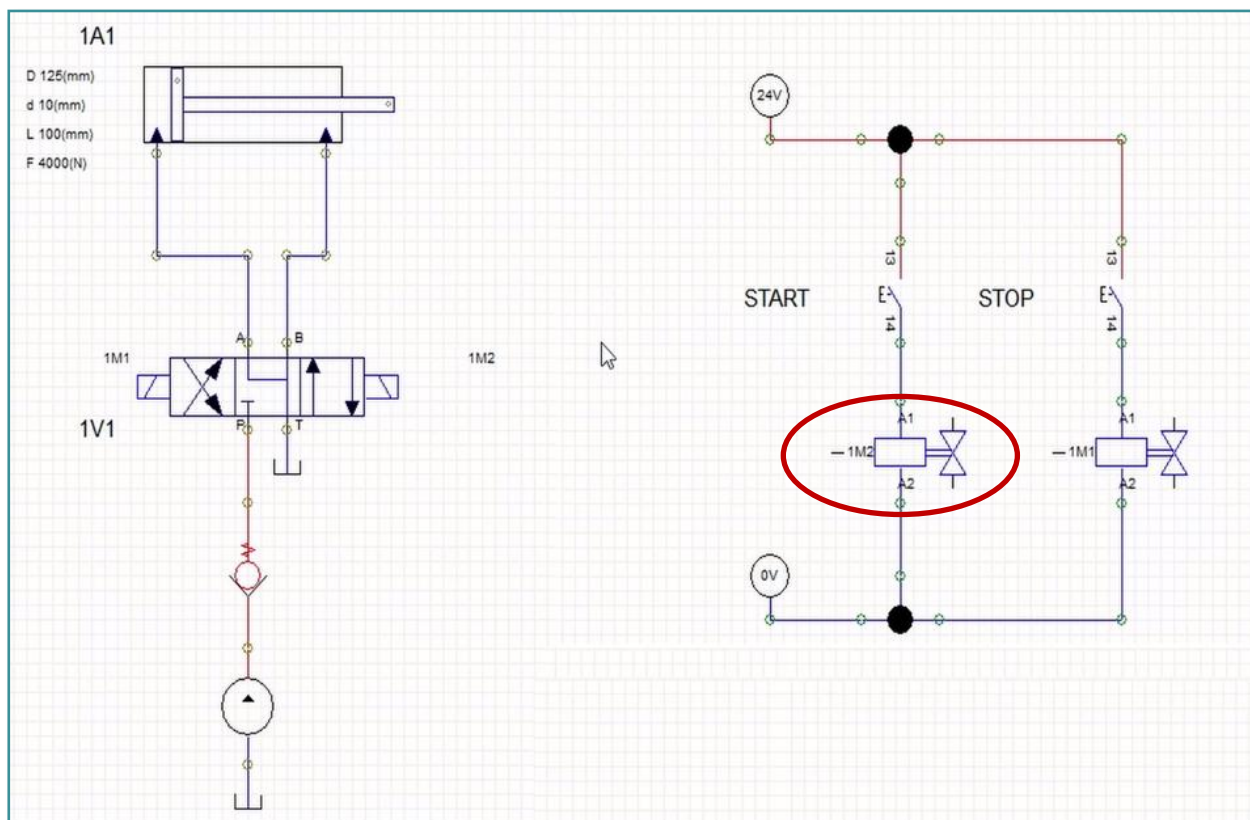


Options:

- A** Coil
- B** Plunger
- C** Spring
- D** Core

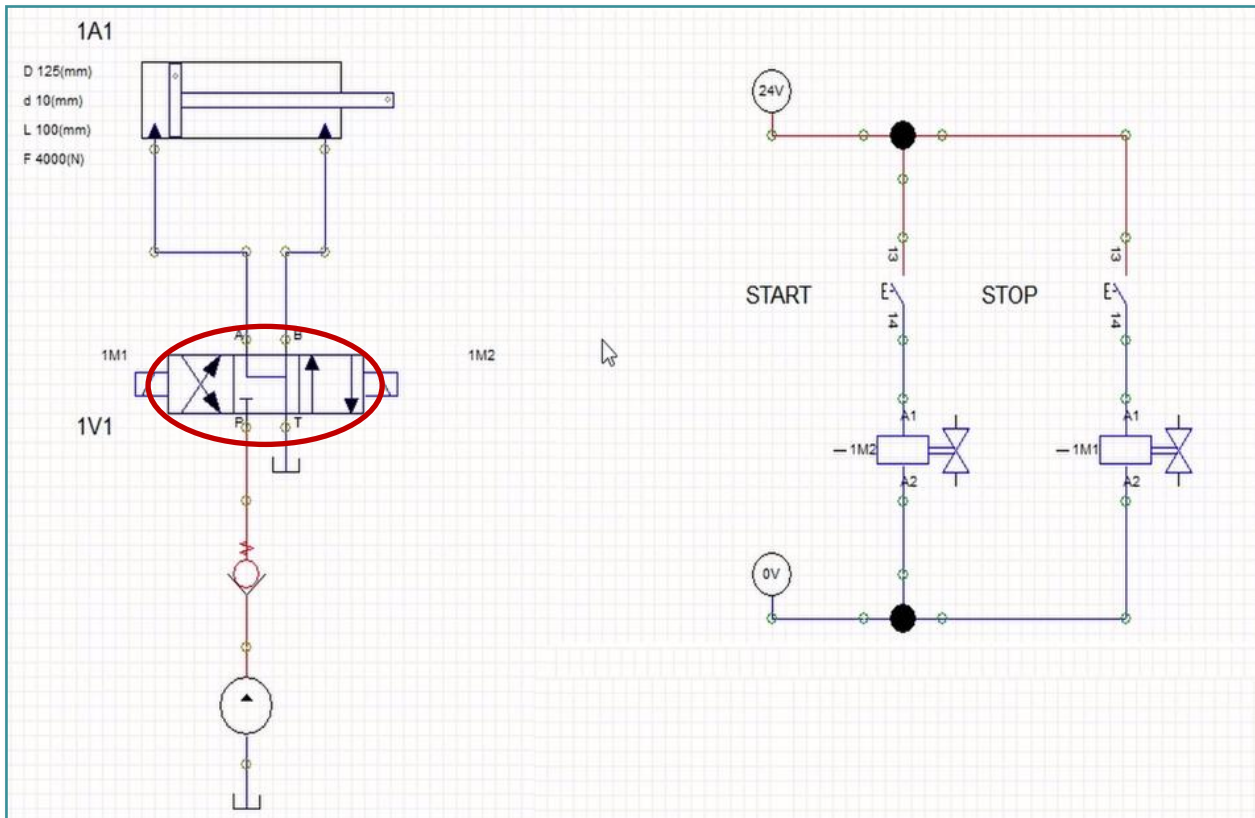
II. Write the name of the solenoid part that generates a magnetic field.

III. Circled symbol a scheme represents ... Choose the correct answer.



- hydraulic 4/3 valve
- cylinder
- solenoid
- switch

IV. Circled symbol a scheme represents ... Choose the correct answer.



- hydraulic 4/3 valve
- cylinder
- solenoid
- switch

V. Choose the bistable valve. Circle the correct answer below the picture.



A / B

VI. Photo credits: STEP IN partnership

VII. Notes:

STEP IN to the online world/virtual learning, Facilitation of access to Vocational practice through online teaching at secondary technical schools

The project is co-financed by the European Union, ERASMUS+ programme.

Contract number: 2020-1-SK01-KA226-VET-094400

The European Commission's support for the production of this material does not constitute an endorsement of the contents, which reflect the views only of the authors, and the Commission cannot be held responsible for any use which may be made of the information contained therein.

STEP IN project in partnership with:

